



SpeedDome® Optima LT

PROGRAMMABLE DOME CAMERAS



FEATURES

- Color camera with 16x optical zoom
- 450+ lines horizontal resolution
- Zoom adjusted programming
- Auto focus and auto iris
- Auto white balance
- Automatic gain control
- Line-lock
- Supports Manchester and SensorNet protocols
- Up to 96 user-definable presets
- Three user-definable patterns
- Power-on functional tests
- LED diagnostics
- Easy to install and service
- Priced comparably to a PTZ, with more features and easier to install
- Stepper motors with micro-step control

SpeedDome Optima LT delivers the standard features of a programmable dome, but is priced comparably to a PTZ camera. This provides an alternative for customers who prefer the convenience and programmability of a dome, but previously considered domes to be price-prohibitive.

Choose from hard ceiling and 2X2 tile mounting options. And because the dome contains all of the necessary install components, installation is a breeze – just 15 minutes from box to ceiling for the hard ceiling mount. The dome's power-on diagnostics and functional tests assist with fault isolation during install and service.

The dome accommodates Manchester and SensorNet protocols, making it compatible with most American Dynamics controller or matrix switcher/controller systems.

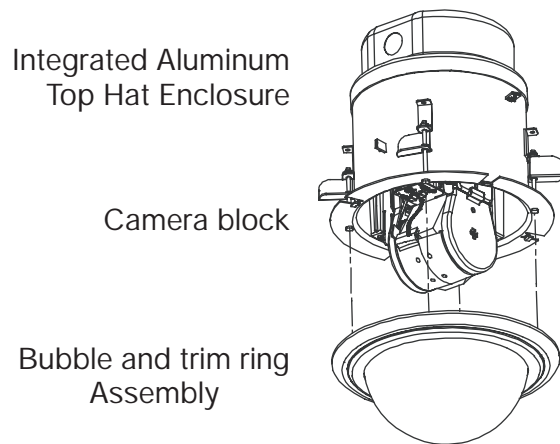
The dome features a color camera with 16x optical zoom and 450+ TV lines resolution, providing a quality, high-resolution picture. The dome also provides user-programmable presets and patterns.

FEATURES

- Integral 16x optical zoom and 450+ lines horizontal resolution provide a quality, high-resolution picture.
- Advanced third generation Digital Signal Processing (DSP) CCD camera delivers sharp, detailed images.
- Zoom Adjusted Program (ZAP) automatically adjusts pan and tilt speeds in proportion to zoom position, even at 16x magnification.
- Automatic white balance allows the camera to automatically adjust the white balance of the image, providing optimal image quality.
- The automatic focus provides clear images without the need for manual adjustments.
- The auto iris provides visible scenes without the user having to manually compensate for diverse lighting conditions.
- The dome supports up to 96 user-definable presets and three user-definable patterns.
- The dome incorporates an automatic flip feature. This feature enables the dome to automatically turn 180° when the camera tilts to its lower limits and stays in that position for a brief speed-proportional delay.
- Vertical sync phase adjustment is provided to help compensate for different phases of power when line-lock is enabled, making it ideal for single and multi-phase power installations.
- Surge protection.
- The dome contains a series of diagnostic LEDs for power, communication, network type and failure mode.
- The fully isolated power supply helps eliminate ground loops.
- Sensing of 50/60 Hz line is automatic and does not require manual adjustment.
- Allows daisy chain configuration of control wiring.
 - For SensorNet: 32 devices at a maximum distance of 1 km (3,000 ft) on one 22 AWG unshielded twisted pair (UTP).
 - For Manchester: 3 domes at a maximum distance of 1.5 km (5,000 ft) on one 18 AWG shielded twisted pair (STP).

Housing Options

The in-ceiling model is designed with swing-out tabs that grasp ceiling material, ensuring a secure and easy installation. The SpeedDome Optima LT is for indoor applications only.



SPECIFICATIONS

Operational

Manual Pan/Tilt Speed	1° to 50° per second (based on zoom position)
Preset Pan/Tilt Speed	100° per second, maximum
Pan Travel	360° continuous
Tilt Travel	> 90°
Pan/Tilt Accuracy	± 0.5°
Zoom/Focus Accuracy	± 0.5%
Optical Zoom	16X
Bubble Density	Clear (f0.0) or smoked (f1.0)

Controller	Programmable Presets	
	SensorNet	Manchester
ADTT16E	96	N/A
ADTT16E via RCSN422	N/A	N/A
MegaPower 48	96	64
MegaPower 168 via CCM	64	64
MegaPower 168 via AD2091	N/A	64
MegaPower 168 via AD2083-02B	N/A	N/A
MegaPower 1024 via AD2091	N/A	64
MegaPower 1024 via AD2083-02B	N/A	N/A
AD2150	N/A	64
AD2150 via AD2083-02B	N/A	N/A
VM96	Unlimited	N/A

Programmable Patterns	3
Auto Synchronization	
Line-Locked	Remote V-phase adjustment
Internal	Built-in sync generator
Address Range	
Manchester	1 to 64
SensorNet	1 to 255

Electrical

Input Voltage	24 to 30 VAC, Class 2 LPS
Design Tolerance	16 to 36 VAC
Line Frequency	50/60 Hz
Power Consumption	
Indoor	.21 watts maximum
Power-on In-rush current	.3 amps
Allowable Drop-out	.33 ms
Surge Protection	
Video	Low-capacitance Zener suppressor of 6.5 V, 1500 watts
SensorNet/Manchester	Isolation transformer coupled, 2000 Vrms; PTC resettable fuse protects transformer; TVS rated at 5.6 V, 40 A, 0.1 joules; 10 kA impulse rated gas tube, 8/20 µsec impulse
Power Line	TVS rated at 60 V, 250 A, 1.5 joules; 10 kA impulse rated gas tube, 8/20 µsec impulse

Camera

Imager	Interline transfer 1/4 inch CCD array
Scanning System	2:1 interlace
Video Output	1.0 Vp-p, 75 Ω composite
S/N Ratio	48 dB (typical)
Horizontal Resolution	>450 lines at center
Minimum Illumination	1.5 lux (20 IRE, AGC on)
Gain Control	Automatic (AGC)
White Balance	Through the Lens (TTL) Automatic Tracing White Balance (ATW)

NTSC

Pickup Device	768 (H) x 494 (V) pixels
Scanning	525 lines, 60 fields, 30 frames
Horizontal	15.734 kHz
Vertical	59.9 Hz

PAL

Pickup Devices	752 (H) x 582 (V) pixels
Scanning	625 lines, 50 fields, 25 frames
Horizontal	15.625 kHz
Vertical	50 Hz

Lens

Design	Aspherical
Focal Length	4 to 64 mm
Aperture	f1.4 (wide), f2.2 (tele)
4 mm	47.0° (H) x 35.2° (V)
64 mm	3.0° (H) x 2.25° (V)

Field of View Formulas

Horizontal View	= (.8 x A) / B
Vertical View	= (.6 x A) / B
A	= distance from camera in meters or feet
B	= zoom power (e.g. 1-16x)

Model Numbers

- RASELHS*Indoor Hard Ceiling LT, Smoked Bubble (NTSC)
 - RASELHS-1*Indoor Hard Ceiling LT, Smoked Bubble (PAL)
 - RASELHC*Indoor Hard Ceiling LT, Clear Bubble (NTSC)
 - RASELHC-1*Indoor Hard Ceiling LT, Clear Bubble (PAL)
- *Optional RH2X2 mount for 2x2 tile ceilings.

Mechanical

- Dimensions (H x D)
- In-Ceiling Model
- Total301 x 190.5 mm (11.9 x 7.5 in)
 - Above Ceiling207.4 x 190.5 mm (8.2 x 7.5 in)
 - Below Ceiling92.7 x 178 mm (3.65 x 7.0 in)
- Weight
- In-Ceiling Model2.5 kg (5.5 lbs)

Environmental

- Operating Temperature
- Indoor-10° to 50° C (14° to 122° F)
- Humidity0 to 95% RH (non-condensing)
- Storage Temperature-20° to 65° C (-4° to 149° F)

Regulatory

- EmissionsFCC: 47 CFR Part 15,
Subpart B Class A
CE: EN55022 Class B
CE: EN6100-3-2
CE: EN6100-3-3
AS/NZS 3548, Class A
CISPR22
ICES-003
- ImmunityCE: EN50130-4
- SafetyUL: UL1950
CUL: CSA 22.2 No. 950
CE: EN60950
IEC950

RH2X2

Indoor 2' x 2'
Tile mount plate

